



# SINKS ACCESSORIES



Item #:

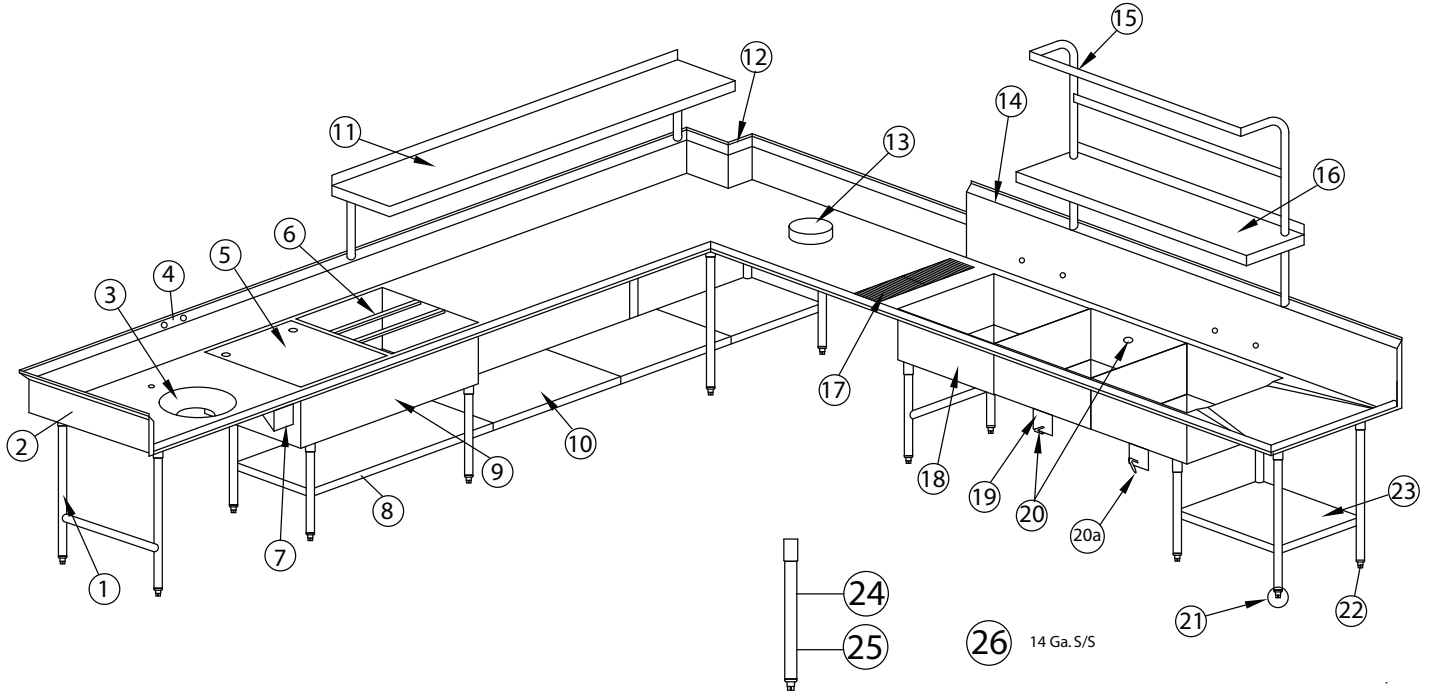
Qty #:

Model #:

Project #:

SINK ACCESSORIES			
ITE	MODEL	DESCRIPTION	ORDERING QTY.
1	SA-1	S/S H FRAME LEGS	Each
2	SA-2-9	END SPLASH 9" TALL	Each
2	SA-1-15	END SPLASH UP TO 15" TALL	Each
3	SA-3-C	DISPOSER CONE (CONE BY OTHERS)	Each
3	SA-3--R	DISPOSER RING (RING BY OTHERS)	Each
4	SA-4	VACUME BREAKER HOLES - 4" ON CENTER	SET
5	SA-2-1818	S/S SINK COVER FOR 18" X 18" TUB	Each
5	SA-5-2020	S/S SINK COVER FOR 20" X 20" TUB	Each
5	SA-5-1824	S/S SINK COVER FOR 18" X 24" TUB	Each
5	SA-5-2424	S/S SINK COVER FOR 24" X 24" TUB	Each
6	SA-6	S/S RACK SLIDE	Each
7	SA-7-S	DISPOSER SWITCH BRACKET 5" X 6"	Each
7	SA-7-C	DISPOSER CONTROL BRACKET 12" X 16"	Each
8	SA-8	HORIZONTAL CROSS RAIL UP TO 72"	Each
9	SA-9-2	SOIL TUB SKIRT FOR 2 COMPARTMENT SINK	Each
9	SA-9-3	SOIL TUB SKIRT FOR 3 COMPARTMENT SINK	Each
10	SA-10	S/S 18 GA. SECTIONAL REMOVABLE UNDERSHELVES	Lin. Ft.
11	SA-11-12	OVERSHELF 12" WIDE CENTILEVERED	Lin. Ft.
		THROUGH BACK SPLASH	
11	SA-11-14	OVERSHELF 14" WIDE CENTILEVERED	Lin. Ft.
		THROUGH BACK SPLASH	
11	SA-11-16	OVERSHELF 16" WIDE CENTILEVERED	Lin. Ft.
		THROUGH BACK SPLASH	
12	SA-12	NOTCH IN BACK SPLASH	Each
13	SA-13	SCRAP HOLE WITH RUBBER SCRAP BLOCK	Each
14	SA-14	HIGHER BACK SPLASH - UP TO 15"	Lin. Ft.
		(NOTE: HIGHER BACKSPLASH OPTION N/A ON 30" FRONT TO BACK)	
15	SA-15	POT RACK WITH HOOKS FIXTURE MOUNTED	Lin. Ft.
16	SA-16	OPTIONAL 12" OVERSHELF FOR POT RACK	Lin. Ft.
17	SA-17	QUICK DRAIN TROUGH WITH DRIP PLATE	Each
18	(18) SB-181812	WELDED SINK BOWL 18" X 18" X 12"	Each
18	(18) SB-20208	WELDED SINK BOWL 20" X 20" X 8"	Each
18	(18) SB-182412	WELDED SINK BOWL 18" X 24" X 12"	Each
18	(18) SB-242412	WELDED SINK BOWL 24" X 24" X 12"	Each
19	SA-19	LEVER WASTE BRACKET	Each
20	SA-20	LEVER DRAIN WITH BRACKET	Each
		(BRACKET AND OVERFLOW PIPE INCLUDED)	
20A	SA-20A	LEVER WASTE WITHOUT OVERFLOW	Each
		(INCLUDES BRACKET)	
21	SA-21	FLANGED BULLET FEET	Each
22	SA-22	S/S ADJUSTABLE BULLET FEET	Each
23	SA-23	S/S WELDED UNDERSHELF	Lin. Ft.
24	SA-24	S/S LEGS 22"	Each
25	SA-25	S/S LEGS 32 1/2"	Each
26	SA-26	14 GA. STAINLESS STEEL AVAILABLE	ADD 15%

# DIMENSIONS & SPECIFICATIONS



RJ Fabricators reserves the right to progressively alter our product specifications to maintain our premium quality.